

Air Logic Pneumatic Components and Systems



Assortment Kits



Introduction to Air Logic

The Air Logic Division of Fred Knapp Engraving Company designs and manufactures a comprehensive line of Assortment Kits which include Inline Filters, Orifice Restrictors, Bulkhead Connectors and various Plastic Fittings.

The Filter Assortment Kits contain a selection of three models. The F-950 Series is an inline filter with barbs for 1/16" or 1/8" I.D. tubing. The F-960 Series filter is encased in a male 10-32 UNF threaded housing with barbs for 1/16" or 1/8" I.D. tubing. The F-970 Series Filter is encased in a female 10-32 UNF threaded housing. Available in 5, 25, 43, or 73 microns.

The Orifice Assortment Kits contain a selection of three models. The F-2815 Series for inline installation, the F-2815-B80, B85 Series with barbs for 1/16" or 1/8" I.D. flexible tubing and the F-3120 Series encased in a 10-32 UNF barbed fitting. The orifices are available in diameters from .004" to .040".

The Bulkhead Connector Kits contain a selection of two models, the Reducing and Straight Bulkhead Connector. The Connectors join 1/16", 1/8" or .170 I.D. flexible tubing.

The Swivel Fitting Assortment Kits contain a selection of three models, 10-32 UNF threads, 1/8-27 NPT or 1/4-18 NPT. The straight Swivel, the Swivel Elbow and the Swivel Tee are available. The unique design (Patent #4,946,204) allows the fitting to swivel 360°.

The Plastic Fitting Assortment Kits contain a selection of miniature unions, reducing connectors, 10-32 UNF Barbed Fittings, Tees, Elbows, Crosses, 10-32 UNF Plugs, 10-32 UNF Nipples, Straight Swivels, Swivel Elbows and Tees. (Patent #4, 946,20)

Air Logic and *A* are trademarks of Air Logic registered in the United States Patent and Trademark Office.

INDEX

Filter Assortment Kits	Page
Inline Filter Kit	2
Threaded Filter Kit	2
Female 10-32 Filter Kit	2
Orifice Restrictor Kits	
Straight Orifice Kit	3
1/16" Barbed Orifice Kit	3
1/8" Barbed Orifice Kit	4
Straight and Barbed Orifice Kit	4
10-32 x 1/16" Barbed Orifice Kit	5
10-32 x 1/8" Barbed Orifice Kit	5
10-32 Medium Barbed Orifice Kit	6
Master Orifice Assortment Kit	6
Bulkhead Connector Kits	
Bulkhead Connector Kit	7
Swivel Fitting Assortment Kits	
10-32 UNF Swivel Fitting Kit	8
1/8-27 NPT Swivel Fitting Kit	8
1/4-18 NPT Swivel Fitting Kit	8
Plastic Fitting Assortment Kits	
Basic Plastic Fitting Assortment Kit	9
Medium Plastic Fitting Assortment Kit	9
Master Plastic Fitting Assortment Kit	10

Assortment Kit Selection Guide

Please order your Kit selection by Model Number. Assortment Kits are available in three sizes: The Basic Kit, the Medium Kit-100, and the Master Kit-200. Barb size is designated with B80 for 1/16" or B85 for 1/8" I.D. Tubing.

Model Number Selection

F-3140-200	
Model Number	Accessory Number

Model Number Selection

Selection	Model Number	Description
Filters	F-950-100	1/16" and 1/8" I.D. Barbed Inline Filters
	F-960-100	Male 10-32 Barbed Filters
	F-970-100	Female 10-32 Filters
Orifice Restrictors	F-2815	Inline Orifice Restrictors
	F-2815-B80	1/16" I.D. Barbed Orifice Restrictors
	F-2815-B85	1/8" I.D. Barbed Orifice Restrictors
	F-2815-100	Assorted 1/16" and 1/8" I.D. Barbed Orifice Restrictors
	F-3120-B80	10-32 x 1/16" I.D. Barbed Orifice Restrictors
	F-3120-B85	10-32 x 1/8" I.D. Barbed Orifice Restrictors
	F-3120-100	Assorted 10-32 x 1/16" and 1/8" Barbed Orifice Restrictors
	F-2815-200	Assorted Inline Orifices, 1/16", 1/8", and 10-32 Barbed Orifices
Bulkhead Connector	F-3100	Assorted Reducing and Straight Bulkhead Connectors
Swivel Fittings	F-3150	Assorted 10-32 Straights, Elbows and Tees
	F-3250	Assorted 1/8"-27 NPT Straights, Elbows and Tees
	F-3350	Assorted 1/4" -18 NPT Straights, Elbows and Tees
Plastic Fittings	F-3140	Assorted 10-32 Plugs and Nipples, 1/16", 1/8" and .170" Barbed Fittings, Unions, Reducers and Tees
	F-3140-100	Assorted 10-32 Plugs and Nipples, 1/16", 1/8" and .170" Barbed Fittings, Unions, Elbows and Tees
	F-3120-200	Assorted 10-32 Plugs and Nipples, 1/16", 1/8" and .170" Barbed Fittings, Unions, Reducers, Elbows, Tees, Crosses, Bulkhead Connectors, Straight Swivels, Elbows and Tees

Filter Assortment Kits

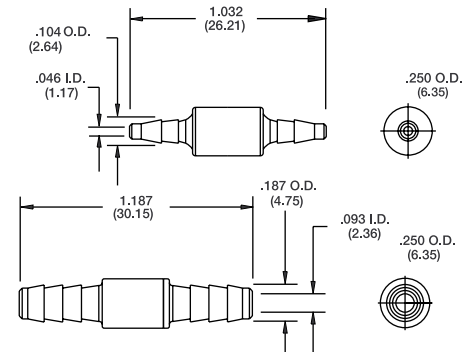


Air Logic offers a disposable filter which is available in 5, 25, 43, and 73 microns. The housing is precision molded of polysulfone material. The stainless steel mesh screen has a Dutch weave which is resistant to high pressure. Maximum supply pressure is 125 PSI. The filters are available for inline applications or with 10-32 UNF threads. There are 2 of each filter included in these kits.

F-950-100 Inline Filter Assortment Kit

The F-950-100 Inline Filter Assortment Kit offers 5, 25, 43 and 73 micron filter sizes. The filter is available with barbs for 1/16" and 1/8" I.D. flexible tubing. There are two of each filter included in this kit.

Model No.	Micron Size	Barb Size
F-950 -5-B80	.5 um	1/16"
F-950-25-B80	.25 um	1/16"
F-950-43-B80	.43 um	1/16"
F-950-73-B80	.73 um	1/16"
F-950- 5-B85	.5 um	1/8"
F-950-25-B85	.25 um	1/8"
F-950-43-B85	.43 um	1/8"
F-950-73-B85	.73 um	1/8"



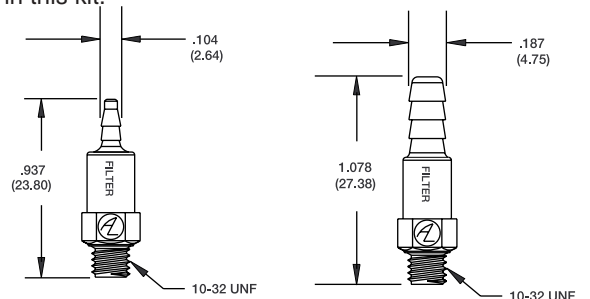
DIMENSIONS

() = Metric Dimensions

F-960-100 Threaded Filter Assortment Kit

The F-960-100 Inline Filter Assortment Kit offers 5, 25, 43 and 73 micron filter sizes. The filter is encased in a 10-32 UNF barbed fitting for 1/16" and 1/8" I.D. flexible tubing. There are two of each filter included in this kit.

Model No.	Micron Size	Barb Size
F-960- 5-B80	.5 um	1/16"
F-960-25-B80	.25 um	1/16"
F-960-43-B80	.43 um	1/16"
F-960-73-B80	.73 um	1/16"
F-960- 5-B85	.5 um	1/8"
F-960-25-B85	.25 um	1/8"
F-960-43-B85	.43 um	1/8"
F-960-73-B85	.73 um	1/8"



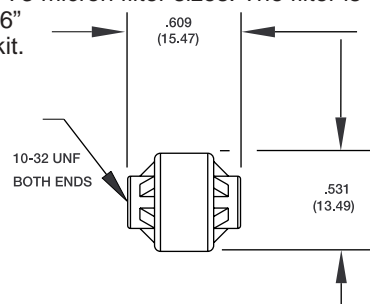
DIMENSIONS

() = Metric Dimensions

F-970-100 Female 10-32 Filter Assortment Kit

The F-970-100 female 10-32 Filter Assortment Kit offers 5, 25, 43 and 73 micron filter sizes. The filter is encased in a 10-32 UNF female filter housing. The 10-32 UNF barbed fittings are included for 1/16" and 1/8" I.D. flexible tubing. There are two of each filter included in this kit.

Model No.	Micron Size
F-970- 5	.5 um
F-970-25	.25 um
F-970-43	.43 um
F-970-73	.73 um



DIMENSIONS

() = Metric Dimensions



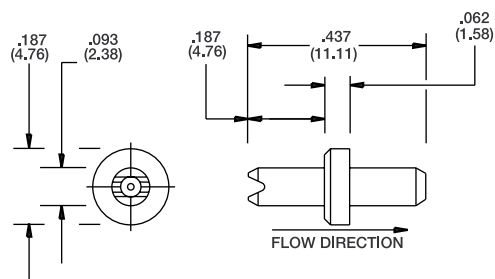
Orifice Assortment Kits

Air Logic offers Orifice Restrictors in eleven color coded sizes. The orifices are precision molded of polysulfone material and are held to flow tolerances of $\pm 4\%$. Inline orifice restrictors are available with barbs for 1/16" and 1/8" I.D. flexible tubing. The orifice restrictors are also available in 10-32 x 1/16" and 10-32 x 1/8" barbed fittings.

F-2815 Orifice Assortment Kit

The F-2815 Orifice Assortment Kit offers eleven color coded orifice sizes from .004" to .040" for use with 1/16" I.D. flexible tubing. There are five of each orifice included in this kit.

Model No.	Size	Color
F-2815-041	.004"	Purple
F-2815-050	.005"	Lime Green
F-2815-051	.006"	Red
F-2815-071	.007"	Aqua
F-2815-101	.010"	Yellow
F-2815-121	.012"	Black
F-2815-161	.016"	Gray
F-2815-201	.020"	Blue
F-2815-251	.025"	Brown
F-2815-301	.030"	Beige
F-2815-401	.040"	Rust



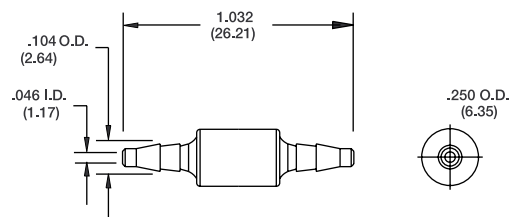
DIMENSIONS

() = Metric Dimensions

F-2815-B80 Orifice Assortment Kit

The F-2815-B80 Orifice Assortment Kit offers eleven color coded orifice sizes from .004" to .040" with barbs for 1/16" I.D. flexible tubing. There are two of each orifice included in this kit.

Model No.	Size	Color
F-2815-041-B80	.004"	Purple
F-2815-050-B80	.005"	Lime Green
F-2815-051-B80	.006"	Red
F-2815-071-B80	.007"	Aqua
F-2815-101-B80	.010"	Yellow
F-2815-121-B80	.012"	Black
F-2815-161-B80	.016"	Gray
F-2815-201-B80	.020"	Blue
F-2815-251-B80	.025"	Brown
F-2815-301-B80	.030"	Beige
F-2815-401-B80	.040"	Rust



DIMENSIONS

() = Metric Dimensions

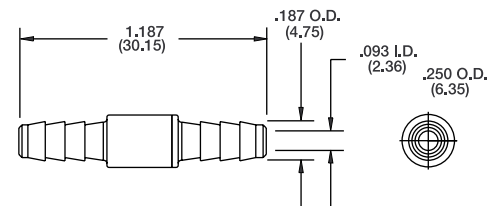
Orifice Assortment Kits



F-2815-B85 Orifice Assortment Kit

The F-2815-B85 Orifice Assortment Kit offers eleven color coded orifice sizes from .004" to .040" for use with 1/8" I.D. flexible tubing. There are two of each orifice included in this kit.

Model No.	Size	Color
F-2815-041-B85	.004"	Purple
F-2815-050-B85	.005"	Lime Green
F-2815-051-B85	.006"	Red
F-2815-071-B85	.007"	Aqua
F-2815-101-B85	.010"	Yellow
F-2815-121-B85	.012"	Black
F-2815-161-B85	.016"	Gray
F-2815-201-B85	.020"	Blue
F-2815-251-B85	.025"	Brown
F-2815-301-B85	.030"	Beige
F-2815-401-B85	.040"	Rust



DIMENSIONS

() = Metric Dimensions

F-2815-100 Orifice Assortment Kit

The F-2815-100 Orifice Assortment Kit offers eleven color coded orifice sizes from .004" to .040" with straight ports for 1/16" I.D. flexible tubing or with barbs for 1/16" and 1/8" I.D. flexible tubing. There are two of each orifice included in this kit.

Model No.	Model No.	Model No.	Size	Color
F-2815-041	F-2815-041-B80	F-2815-041-B85	.004"	Purple
F-2815-050	F-2815-050-B80	F-2815-050-B85	.005"	Lime Green
F-2815-051	F-2815-051-B80	F-2815-051-B85	.006"	Red
F-2815-071	F-2815-071-B80	F-2815-071-B85	.007"	Aqua
F-2815-101	F-2815-101-B80	F-2815-101-B85	.010"	Yellow
F-2815-121	F-2815-121-B80	F-2815-121-B85	.012"	Black
F-2815-161	F-2815-161-B80	F-2815-161-B85	.016"	Gray
F-2815-201	F-2815-201-B80	F-2815-201-B85	.020"	Blue
F-2815-251	F-2815-251-B80	F-2815-251-B85	.025"	Brown
F-2815-301	F-2815-301-B80	F-2815-301-B85	.030"	Beige
F-2815-401	F-2815-401-B80	F-2815-401-B85	.040"	Rust

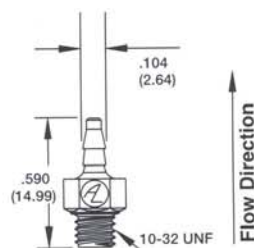
Orifice Assortment Kits



F-3120-B80 Orifice Assortment Kit

The F-3120-B80 Orifice Assortment Kit offers eleven color coded orifice sizes from .004" to .040" The orifices are inserted into a black 10-32 x 1/16" barbed fitting, which is molded of polysulfone material. There are two of each orifice included in this kit.

Model No.	Size
F-3120-041-B80.....	.004"
F-3120-050-B80.....	.005"
F-3120-051-B80.....	.006"
F-3120-071-B80.....	.007"
F-3120-101-B80.....	.010"
F-3120-121-B80.....	.012"
F-3120-161-B80.....	.016"
F-3120-201-B80.....	.020"
F-3120-251-B80.....	.025"
F-3120-301-B80.....	.030"
F-3120-401-B80.....	.040"



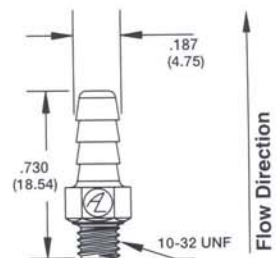
DIMENSIONS

() = Metric Dimensions

F-3120-B85 Orifice Assortment Kit

The F-3120-B85 Orifice Assortment Kit offers eleven color coded orifice sizes from .004" to .040" The orifices are inserted into a black 10-32 x 1/8" barbed fitting, which is molded of polysulfone material. There are two of each orifice included in this kit.

Model No.	Size
F-3120-041-B85.....	.004"
F-3120-050-B85.....	.005"
F-3120-051-B85.....	.006"
F-3120-071-B85.....	.007"
F-3120-101-B85.....	.010"
F-3120-121-B85.....	.012"
F-3120-161-B85.....	.016"
F-3120-201-B85.....	.020"
F-3120-251-B85.....	.025"
F-3120-301-B85.....	.030"
F-3120-401-B85.....	.040"



DIMENSIONS

() = Metric Dimensions

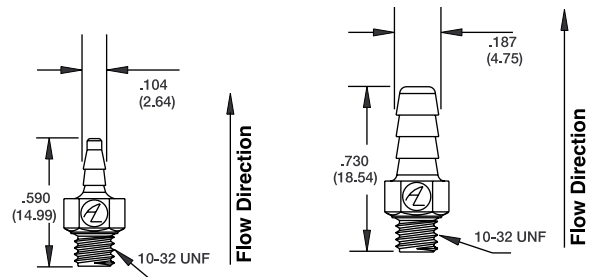
Orifice Assortment Kits



F-3120-100 Orifice Assortment Kit

The F-3120-100 Orifice Assortment Kit offers eleven color coded orifice sizes from .004" to .040". The orifice is inserted into a black 10-32 x 1/16" and a black 10-32 x 1/8" barbed fitting. There are two of each orifice included in this kit.

Model No.	Model No.	Size
F-3120-041-B80	F-3120-041-B85	.004"
F-3120-050-B80	F-3120-050-B85	.005"
F-3120-051-B80	F-3120-051-B85	.006"
F-3120-071-B80	F-3120-071-B85	.007"
F-3120-101-B80	F-3120-101-B85	.010"
F-3120-121-B80	F-3120-121-B85	.012"
F-3120-161-B80	F-3120-161-B85	.016"
F-3120-201-B80	F-3120-201-B85	.020"
F-3120-251-B80	F-3120-251-B85	.025"
F-3120-301-B80	F-3120-301-B85	.030"
F-3120-401-B80	F-3120-401-B85	.040"



DIMENSIONS

() = Metric Dimensions

F-2815-200 Orifice Assortment Kit

The F-2815-200 Orifice Assortment Kit offers eleven color-coded orifice sizes from .004" to .040" with straight ports for 1/16" I.D. flexible tubing and with barbs for 1/16" and 1/8" I.D. flexible tubing. The kit also includes 10-32 UNF barbed orifices; the orifice is inserted into a black 10-32 x 1/16" and a black 10-32 x 1/8" barbed fitting. There are two of each orifice included in this kit.

Model No.	Model No.	Model No.	Model No.	Model No.	Size
F-2815-041	F-2815-041-B80	F-2815-041-B85	F-3120-041-B80	F-3120-041-B85	.004"
F-2815-050	F-2815-050-B80	F-2815-050-B85	F-3120-050-B80	F-3120-050-B85	.005"
F-2815-051	F-2815-051-B80	F-2815-051-B85	F-3120-051-B80	F-3120-051-B85	.006"
F-2815-071	F-2815-071-B80	F-2815-071-B85	F-3120-071-B80	F-3120-071-B85	.007"
F-2815-101	F-2815-101-B80	F-2815-101-B85	F-3120-101-B80	F-3120-101-B85	.010"
F-2815-121	F-2815-121-B80	F-2815-121-B85	F-3120-121-B80	F-3120-121-B85	.012"
F-2815-161	F-2815-161-B80	F-2815-161-B85	F-3120-161-B80	F-3120-161-B85	.016"
F-2815-201	F-2815-201-B80	F-2815-201-B85	F-3120-201-B80	F-3120-201-B85	.020"
F-2815-251	F-2815-251-B80	F-2815-251-B85	F-3120-251-B80	F-3120-251-B85	.025"
F-2815-301	F-2815-301-B80	F-2815-301-B85	F-3120-301-B80	F-3120-301-B85	.030"
F-2815-401	F-2815-401-B80	F-2815-401-B85	F-3120-401-B80	F-3120-401-B85	.040"

Standard Bulkhead Connector Kit

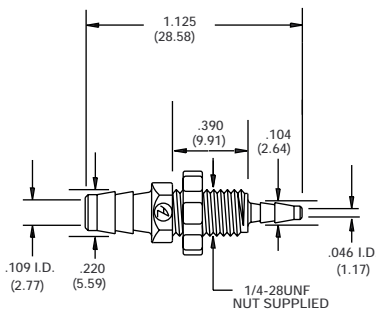


Air Logic offers two models of Standard Bulkhead Connectors, the reducing and the straight bulkhead connector. The connectors join 1/16", 1/8" or .170 I.D. flexible tubing. The bulkhead connectors are panel mounted by tightening a 1/4-28 UNF threaded nut onto the external threads of the bulkhead.

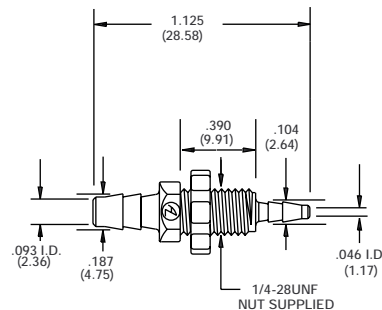
F-3100 Standard Bulkhead Connector Kit

The F-3100 Standard Bulkhead Assortment kit offer three sizes of reducing and straight bulkhead connectors. There are two of each connector included in this kit.

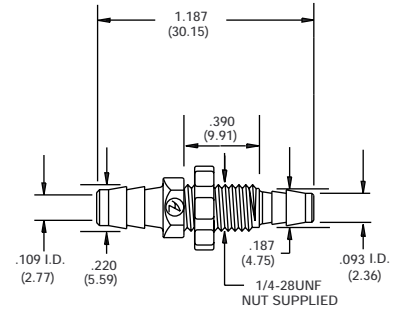
Part No.	Description
F-3100-68	Reducer for .170 to 1/16" I.D. Tubing
F-3100-70	Reducer for 1/8" to 1/16" I.D. Tubing
F-3100-71	Reducer for .170 to 1/8" I.D. Tubing
F-3100-80	Barb for 1/16" I.D. Tubing
F-3100-85	Barb for 1/8" I.D. Tubing
F-3100-86	Barb for .170 I.D. Tubing



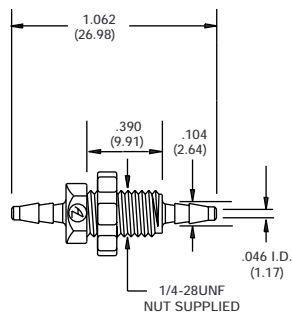
F-3100-68
Reducing Bulkhead Connector



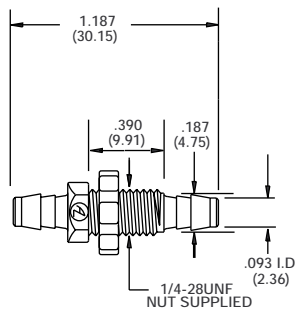
F-3100-70
Reducing Bulkhead Connector



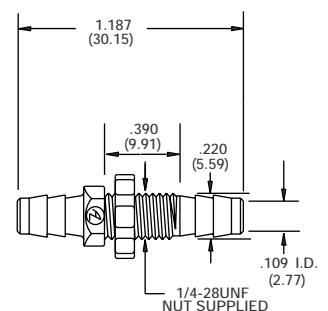
F-3100-71
Reducing Bulkhead Connector



F-3100-80
Straight Bulkhead Connector



F-3100-85
Straight Bulkhead Connector



F-3100-86
Straight Bulkhead Connector

Swivel Fitting Assortment Kits

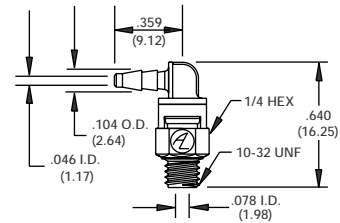


Air Logic offers three models of Swivel Fittings (Pat. #4,946,204), the straight swivel, the swivel elbow and the swivel tee. All models of swivels are available with barbs for 1/16", 3/32", and 1/8" I.D. flexible tubing. The swivels are offered with 10-32 UNF threads, 1/8-27 NPT and 1/4-18 NPT. The unique design of the fitting allows it to swivel 360°. The swivels are precision molded of nylon material and have a Buna-N o-ring for sealing purposes.

F-3150 Swivel Fitting Assortment Kit

The F-3150 Swivel Fitting Assortment Kit offers three models of swivel fittings with 10-32 UNF threads. The swivels have barbs for 1/16", 3/32", and 1/8" I.D. flexible tubing. There are two of each swivel fitting included in this kit.

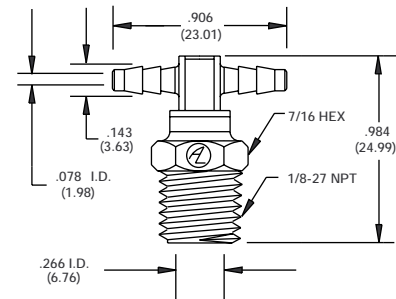
Model No.	Configuration	Barb
F-3150-80	Straight	1/16"
F-3150-83	Straight	3/32"
F-3150-85	Straight	1/8"
F-3154-80	Elbow	1/16"
F-3154-83	Elbow	3/32"
F-3154-85	Elbow	1/8"
F-3155-80	Tee	1/16"
F-3155-83	Tee	3/32"
F-3155-85	Tee	1/8"



F-3250 Swivel Fitting Assortment Kit

The F-3250 Swivel Fitting Assortment Kit offers three models of swivel fitting with 1/8-27 NPT threads. The swivels have barbs for 1/16", 3/32", and 1/8" I.D. flexible tubing. There are two of each swivel fittings included in this kit.

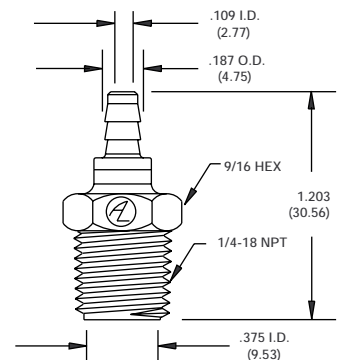
Model No.	Configuration	Barb
F-3250-80	Straight	1/16"
F-3250-83	Straight	3/32"
F-3250-85	Straight	1/8"
F-3254-80	Elbow	1/16"
F-3254-83	Elbow	3/32"
F-3254-85	Elbow	1/8"
F-3255-80	Tee	1/16"
F-3255-83	Tee	3/32"
F-3255-85	Tee	1/8"



F-3350 Swivel Fitting Assortment Kit

The F-3350 Swivel Fitting Assortment Kit offers three models of swivel fittings with 1/4-18 NPT threads. The swivels have barbs for 1/16", 3/32", and 1/8" I.D. flexible tubing. There are two of each swivel fittings included in this kit.

Model No.	Configuration	Barb
F-3350-80	Straight	1/16"
F-3350-83	Straight	3/32"
F-3350-85	Straight	1/8"
F-3354-80	Elbow	1/16"
F-3354-83	Elbow	3/32"
F-3354-85	Elbow	1/8"
F-3355-80	Tee	1/16"
F-3355-83	Tee	3/32"
F-3355-85	Tee	1/8"



Plastic Fitting Assortment Kit



Air Logic offers a complete line of Plastic Fittings which include bulkhead connectors, miniature unions, reducing connectors, 10-32 UNF barbed fittings, tees, elbows, crosses, 10-32 UNF plugs, 10-32 UNF nipples, straight swivels, swivel elbows, and swivel tees (Patent #4,946,204).

F-3140 Plastic Fitting Assortment Kit

The F-3140 Plastic Fitting Assortment Kit offers a variety of plastic fittings. There are 5 of each fitting included in this kit

Model No.	Description	Material
F-3120-20	10-32 UNF Hex Head Plug	Nylon
F-3120-25	10-32 UNF Nipple	Nylon
F-3120-41	1/16" Union	Polysulfone
F-3120-42	1/16" Barbed Union	Polysulfone
F-3120-43	1/8" Barbed Union	Polysulfone
F-3120-68	1/16" Straight x 1/8" Barbed Reducer	Polysulfone
F-3120-70	1/16" x 1/8" Barbed Reducer	Polysulfone
F-3145-65	1/16" Tee	Celcon
F-3120-80	10-32 x 1/16" Barbed Fitting	Nylon
F-3120-85	10-32 x 1/8" Barbed Fitting	Nylon
F-3120-86	10-32 x .170" Barbed Fitting	Nylon

F-3140-100 Plastic Fitting Assortment Kit

The F-3140-100 Plastic Fitting Assortment Kit offers a variety of plastic fittings. There are 2 of each fitting included in this kit

Model No.	Description	Material
F-3120-20	10-32 UNF Hex Head Plug	Nylon
F-3120-20-W	10-32 UNF Hex Head Plug (White)	Nylon
F-3120-20-R	10-32 UNF Hex Head Plug (Red)	Nylon
F-3120-20-B	10-32 UNF Hex Head Plug (Blue)	Nylon
F-3120-25	10-32 UNF Nipple	Nylon
F-3120-25-W	10-32 UNF Nipple (White)	Nylon
F-3120-25-R	10-32 UNF Nipple (Red)	Nylon
F-3120-25-B	10-32 UNF Nipple (Blue)	Nylon
F-3120-80	10-32 x 1/16" Barbed Fitting	Nylon
F-3120-80-W	10-32 x 1/16" Barbed Fitting (White)	Nylon
F-3120-80-R	10-32 x 1/16" Barbed Fitting (Red)	Nylon
F-3120-80-B	10-32 x 1/16" Barbed Fitting (Blue)	Nylon
F-3120-85	10-32 x 1/8" Barbed Fitting	Nylon
F-3120-85-W	10-32 x 1/8" Barbed Fitting (White)	Nylon
F-3120-85-R	10-32 x 1/8" Barbed Fitting (Red)	Nylon
F-3120-85-B	10-32 x 1/8" Barbed Fitting (Blue)	Nylon
F-3140-80	1/16" Barbed Union	Nylon
F-3140-80-W	1/16" Barbed Union (White)	Nylon
F-3140-85	1/8" Barbed Union	Nylon
F-3140-85-W	1/8" Barbed Union (White)	Nylon
F-3144-80	1/16" Barbed Elbow	Nylon
F-3144-80-W	1/16" Barbed Elbow (White)	Nylon
F-3144-85	1/8" Barbed Elbow	Nylon
F-3144-85-W	1/8" Barbed Elbow (White)	Nylon
F-3145-65	1/16" Tee	Celcon
F-3145-80	1/16" Barbed Tee	Nylon
F-3145-80-W	1/16" Barbed Tee (White)	Nylon
F-3145-85	1/8" Barbed Tee	Nylon
F-3145-85-W	1/8" Barbed Tee (White)	Nylon

Plastic Fitting Master Kit



The F-3140-200 Master Kit contains samples of the complete line of fittings. There are two of each of the following fittings in this kit.

F-3140-200 Plastic Fitting Assortment Kit

Model No.	Description	Material
F-3120-80	10-32 x 1/16" Barbed Fitting	Nylon
F-3120-80-W	10-32 x 1/16" Barbed Fitting (White)	Nylon
F-3120-80-R	10-32 x 1/16" Barbed Fitting (Red)	Nylon
F-3120-80-B	10-32 x 1/16" Barbed Fitting (Blue)	Nylon
F-3120-85	10-32 x 1/8" Barbed Fitting	Nylon
F-3120-85-W	10-32 x 1/8" Barbed Fitting (White)	Nylon
F-3120-85-R	10-32 x 1/8" Barbed Fitting (Red)	Nylon
F-3120-85-B	10-32 x 1/8" Barbed Fitting (Blue)	Nylon
F-3120-86	10-32 x .170" Barbed Fitting	Nylon
F-3120-86-W	10-32 x .170" Barbed Fitting (White)	Nylon
F-3120-86-R	10-32 x .170" Barbed Fitting (Red)	Nylon
F-3120-86-B	10-32 x .170" Barbed Fitting (Blue)	Nylon
F-3140-80	1/16" Barbed Union	Nylon
F-3140-80-W	1/16" Barbed Union (White)	Nylon
F-3140-85	1/8" Barbed Union	Nylon
F-3140-85-W	1/8" Barbed Union (White)	Nylon
F-3144-80	1/16" barbed Elbow	Nylon
F-3144-80-W	1/16" Barbed Elbow (White)	Nylon
F-3144-85	1/8" Barbed Elbow	Nylon
F-3144-85-W	1/8" Barbed Elbow (White)	Nylon
F-3145-80	1/16" Barbed Tee	Nylon
F-3145-80-W	1/16" Barbed Tee (White)	Nylon
F-3145-85	1/8" Barbed Tee	Nylon
F-3145-85-W	1/8" Barbed Tee (White)	Nylon
F-3146-80	1/16" Barbed Cross	Nylon
F-3146-80-W	1/16" Barbed Cross (White)	Nylon
F-3146-85	1/8" Barbed Cross	Nylon
F-3146-85-W	1/8" Barbed Cross (White)	Nylon
F-3154-80	10-32 x 1/16" Swivel Elbow	Nylon
F-3154-83	10-32 x 3/32" Swivel Elbow	Nylon
F-3154-85	10-32 x 1/8" Swivel Elbow	Nylon
F-3155-80	10-32 x 1/16" Swivel Tee	Nylon
F-3155-83	10-32 x 3/32" Swivel Tee	Nylon
F-3155-85	10-32 x 1/8" Swivel Tee	Nylon
F-3254-80	1/8"-27 NPT x 1/16" Swivel Elbow	Nylon
F-3254-83	1/8"-27 NPT x 3/32" Swivel Elbow	Nylon
F-3254-85	1/8"-27 NPT x 1/8" Swivel Elbow	Nylon
F-3255-80	1/8"-27 NPT x 1/16" Swivel Tee	Nylon
F-3255-83	1/8"-27 NPT x 3/32" Swivel Tee	Nylon
F-3255-85	1/8"-27 NPT x 1/8" Swivel Tee	Nylon

There is one of each of the following fittings in this sample kit.

Model No.	Description	Material
F-3100-68	.170" x 1/16" Bulkhead Connector	Nylon
F-3100-70	1/8" x 1/16" Bulkhead Connector	Nylon
F-3100-71	.170" x 1/8" Bulkhead Connector	Nylon
F-3100-80	1/16" x 1/16" Bulkhead Connector	Nylon
F-3100-85	1/8" x 1/8" Bulkhead Connector	Nylon
F-3100-86	.170" x .170" Bulkhead Connector	Nylon
F-3150-80	10-32 x 1/16" Straight Swivel	Nylon
F-3150-83	10-32 x 3/32" Straight Swivel	Nylon
F-3150-85	10-32 x 1/8" Straight Swivel	Nylon
F-3250-80	1/8"-27 NPT x 1/16" Straight Swivel	Nylon
F-3250-83	1/8"-27 NPT x 3/32" Straight Swivel	Nylon
F-3250-85	1/8"-27 NPT x 1/8" Straight Swivel	Nylon
F-3350-80	1/4"-18 NPT x 1/16" Straight Swivel	Nylon
F-3350-83	1/4"-18 NPT x 3/32" Straight Swivel	Nylon
F-3350-85	1/4"-18 NPT x 1/8" Straight Swivel	Nylon
F-3354-80	1/4"-18 NPT x 1/16" Swivel Elbow	Nylon
F-3354-83	1/4"-18 NPT x 3/32" Swivel Elbow	Nylon
F-3354-85	1/4"-18 NPT x 1/8" Swivel Elbow	Nylon
F-3355-80	1/4"-18 NPT x 1/16" Swivel Tee	Nylon
F-3355-83	1/4"-18 NPT x 3/32" Swivel Tee	Nylon
F-3355-85	1/4"-18 NPT x 1/8" Swivel Tee	Nylon