

# PNEUMATIC COMPONENTS AND SYSTEMS

*Air  
Logic*

## MODULAR Precision Regulators and Manifold Systems

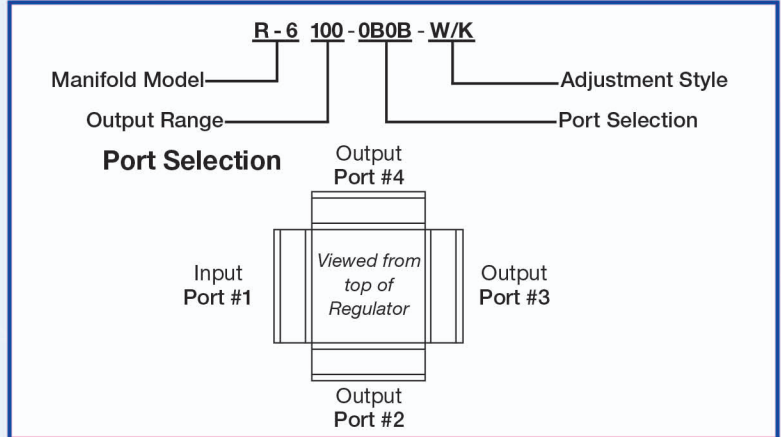




## Regulator Selection Guide

Please Order by model number for output range or specify the preset output range 0.5 to 40 PSI using 100 PSI supply. Specify accessory letters or numbers for the dovetail ports and adjustment style. The regulator is supplied with an INPUT PORT, an OUTPUT PORT, and two BLANK PORTS as standard. Two accessory ports may be ordered. When choosing the port selection the input port is the starting point. The remaining ports are then selected counterclockwise.

### MODEL NUMBER SELECTION



## Introduction to Air Logic

The Air Logic Division of Knapp Manufacturing, Inc. designs and manufactures a comprehensive line of pneumatic and vacuum control equipment—sensing and input elements, control elements, output interfacing devices and complete air supply systems. The control elements include both fluidic and moving diaphragm control components. Air Logic has a strong reputation for immediate service, quality, and dependability. For special applications and requirements call Air Logic.

## Regulators

Air Logic is a manufacturer of Modular Subminiature Precision Pressure Regulators and Modular Manifold Systems, ideal for instrumentation, medical and industrial applications.

The modular equipment includes

- Subminiature Precision Pressure Regulators
- Factory Preset Precision Pressure Regulators
- Manifold Mounted Precision Pressure Regulators
- Modular Manifold System

The Precision Pressure Regulators provide the ultimate in regulation of pressure.

The Modular Manifold System allows various combinations of pneumatic accessories to be assembled together.

The unique modular dovetail design allows the regulator or the manifold to be used individually or assembled into a modular combination of pneumatic components.

ADJUSTMENT RANGE			INDEX
Model Number	Adjustment Range	Description	Page Number
M-5000	N/A	Modular Manifold	10-11
M-5001	N/A	Modular Manifold	
R-6010	0.5 to 10	Manifold Mounted Pressure Regulator	8-9
R-6030	0.5 to 30		
R-6060	0.5 to 60		
R-6100	0.5 to 100		
PR-6000	Specify Preset Output	Manifold Mounted Preset Regulator	8-9
R-7010	0.5 to 10	Precision Pressure Regulator	4-5
R-7030	0.5 to 30		
R-7060	0.5 to 60		
R-7100	0.5 to 100		
PR-7000	Specify Preset Output	Preset Precision Pressure Regulator	6-7
Modular Dovetail Accessories	N/A	For Pressure Regulator and Manifold System	12-13

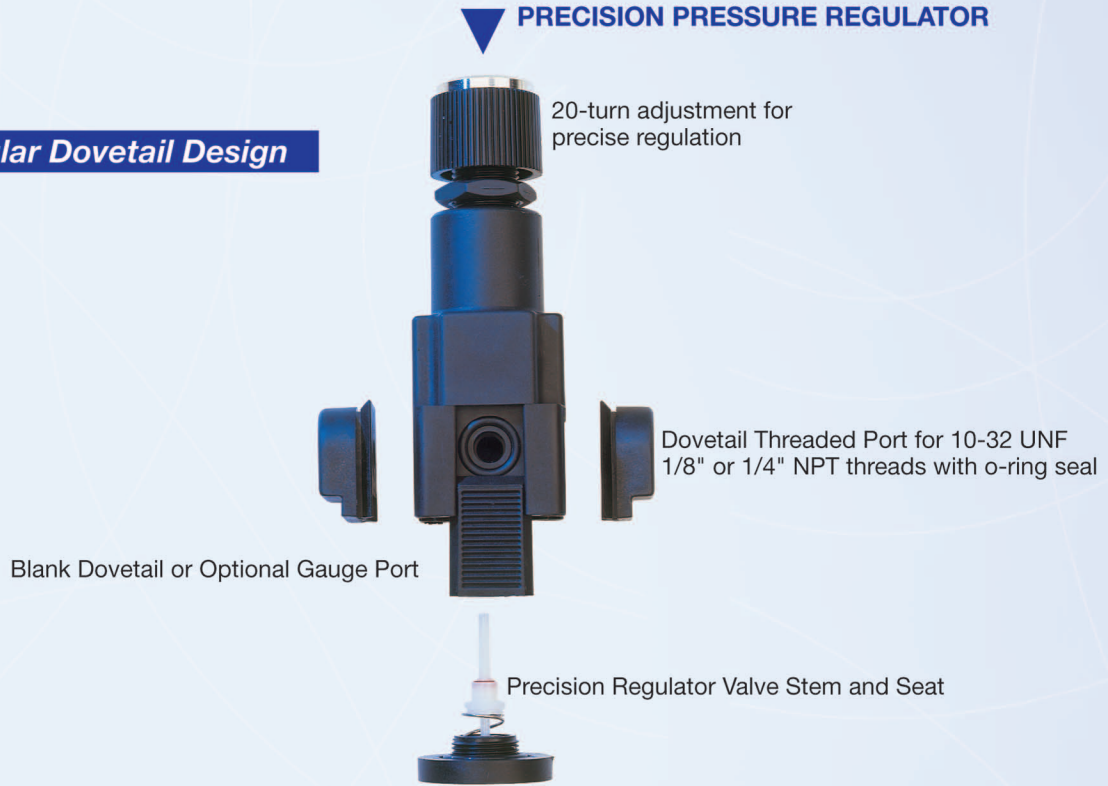
PORT CONNECTION		
Selection	Accessory Number	Description
Side Ports	0	10-32 UNF Threads
	1	1/8-27 NPT Threads
	2	1/4-18 NPT Threads
	B	Blank Dovetail
	U	Union Dovetail
	C	Connecting Dovetail
	G	1/8-27 NPT Dovetail Gauge Port
	H	1/4-18 NPT Dovetail Gauge Port
	D	0-30 PSI Gauge with Gauge Port
	I	0-60 PSI Gauge with Gauge Port
	J	0-100 PSI Gauge with Gauge Port
	K	0-160 PSI Gauge with Gauge Port
	W	Wall Mounting Dovetail Bracket
Manifold Top Cover	0	10-32 UNF Threads
	1	1/8-27 NPT Threads
	2	1/4-18 NPT Threads
	B	Blank Cover

**Air Logic** and **A** are trademarks of Air Logic registered in the United States Patent and Trademark office.

Patent numbers 5,217,260 & 5,261,447

# Modular Precision Regulator and Manifold Systems

## Unique Modular Dovetail Design



## Unique Modular Manifold Design



## R-7000 Series Precision Pressure Regulator



### FEATURES

- Modular Dovetail Design
- Excellent Repeatability
- Miniature Size
- Non-Rising Stem
- Automatic Relief
- Low Cost

The **Modular Subminiature Precision Pressure Regulator** is designed for precise regulation of pressure. It is ideal for instrumentation and industrial applications. The pressure regulator has a 20 turn adjustment range from 0.5 to 100 PSI. Maximum supply is 150 PSI. Four adjustment ranges are available: 10 PSI, 30 PSI, 60 PSI and 100 PSI. The standard device is furnished with an adjustment knob and is also available with an extended 1/4" shaft to accept an adjustment knob or furnished with an exposed screwdriver adjustment by which the pressure range can be adjusted.

The **Unique Modular Dovetail** design allows the regulator to be used individually or assembled into a modular combination of pneumatic components.

### Port Connections Available

- Threaded Port
- Connector
- Union
- Gauge Port
- Blank Slides
- Push-in Fitting

Patent numbers 5,217,260 & 5,261,447



## Unique Modular Dovetail Design SPECIFICATIONS

**Adjustment Range:** 0.5 to 100 PSI

**Maximum Supply:** 150 PSI

**Operating Temperature:** 40° to 150° F (4° to 66°C)

**Recommended Filtration:** 5 Micron

**Effect of Supply Variation:** Within .1 PSI output change with 10 PSI supply change

**Flow Regulator:** Maximum flow 5 SCFM with 100 PSI supply

**Repeatability:** Within .1 PSI when the supply pressure is turned off and on

**Drift:** At 75°F. 0.1 PSI total drift

**Supply Consumption:** Within 400 cc/m at 100 PSI supply, with a deadend output

### MATERIALS

**Housing:** Glass filled Celcon

**Adjustment Screw:** Carbon Filled Nylon

**Retaining Ring:** Carbon Spring Steel

**Stem Assembly:** Celcon

**Diaphragm:** Buna N, Polyurethane

**Diaphragm Assembly:** Celcon

**Springs:** Stainless Steel

**O-Rings:** Buna N, Silicone Nitrile

**Valve Seat:** PVC

**Filter:** Stainless Steel 304, Micron size 380

**Manifold Mount Screws:** Zinc

### PORT CONNECTIONS

**Threaded Dovetail:** A Modular Dovetail Slide with 10-32 UNF, 1/8-27 NPT, 1/4-18 NPT thread sizes. The 1/8" and 1/4" NPT contain a brass hoop ring insert. The 1/8" and 1/4" gauge port is available. During assembly fittings should be finger tight plus one turn.

**Union Dovetail:** A Modular Dovetail Slide with a thru hole joining two units together with a common air supply.

**Connecting Dovetail:** A Modular Connecting Dovetail Slide with no hole joining two units together with no common air supply.

**Gauge Dovetail:** A Modular Dovetail Slide with 1/8-27 NPT or 1/4-18 NPT thread sizes. The Dovetail Slide has the word "gauge" molded into the slide.

**Blank Dovetail:** 2 Blank Dovetail Slides are supplied as standard.

**Push-in Fitting Dovetail:** Available for 5/32", 3/16", 1/4", 5/16", 4mm and 6mm O.D. Tubing.

### MOUNTING

**Panel Mount:** 9/16" hole for panel mounting, mounting nut furnished. Panel mounting nut should be finger tight plus 1/4 turn.

**Base mounting:** .115 diameter mounting holes, use 4-40 mounting screws.

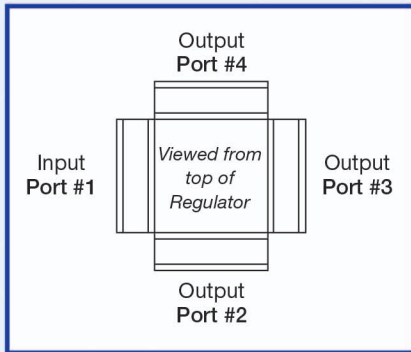
**Wall Mount:** Modular Dovetail wall mount.

# Regulator Selection Guide

**ORDERING INFORMATION** Order by model number for output range. Specify accessory letters or numbers for the dovetail ports and adjustment style. The regulator is supplied with an INPUT PORT, an OUTPUT PORT, and two BLANK PORTS as standard. Two accessory ports may be ordered. When choosing the port selection the input port is the starting point. The remaining ports are then selected counterclockwise.

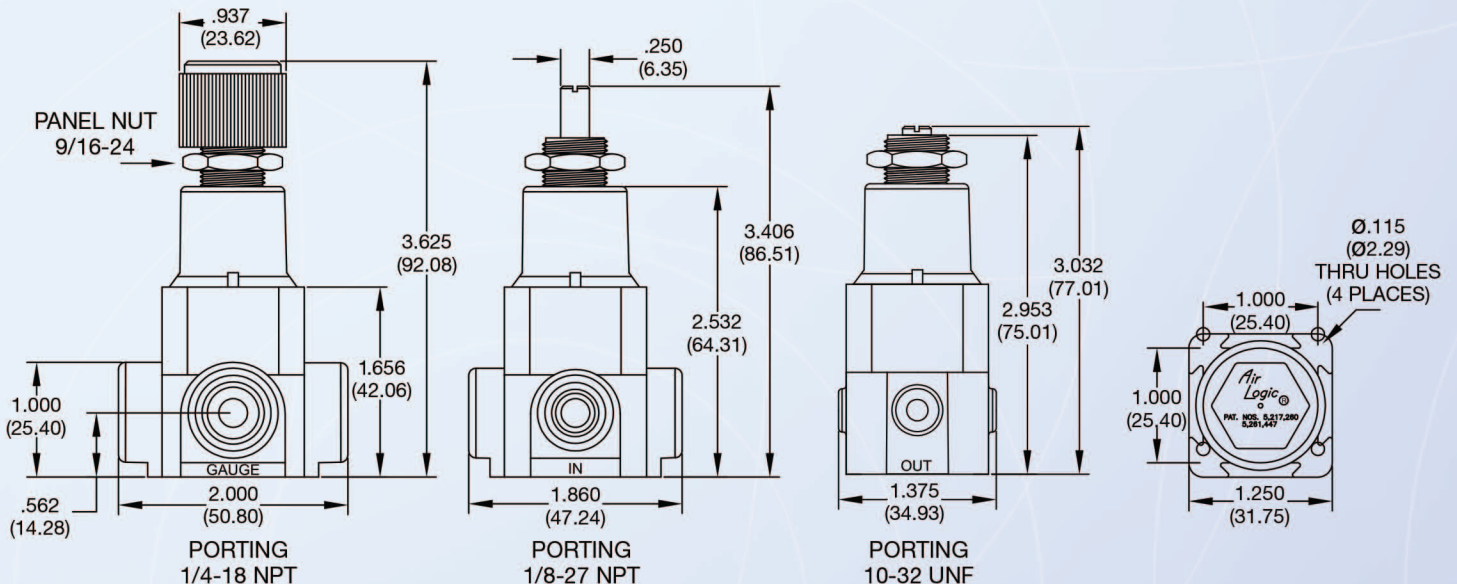
## Part Number Guide

### Port Location Diagram



	<u>R7030</u>	<u>7</u>	<u>S</u>	<u>8</u>	<u>S</u>	<u>WO/S</u>
Model Number	Input Port 1	Port 2	Port 3	Port 4	Adjustment Style	
<b>R7010</b> 0.5 - 10 PSI	<b>0</b> – 10-32 UNF Threads <b>1</b> – 1/8-27 NPT Threads <b>2</b> – 1/4-18 NPT Threads <b>3</b> – Push-in Fitting for 5/32" O.D. tube <b>4</b> – Push-in Fitting for 3/16" O.D. tube <b>5</b> – Push-in Fitting for 1/4" O.D. tube <b>6</b> – Push-in Fitting for 5/16" O.D. tube <b>7</b> – Push-in Fitting for 4mm O.D. tube <b>8</b> – Push-in Fitting for 6mm O.D. tube <b>B</b> – Blank Dovetail <b>C</b> – Connecting Dovetail <b>D</b> – 0-30 PSI Gauge with Gauge Port <b>G</b> – 1/8-27 NPT Dovetail Gauge Port <b>H</b> – 1/4-18 NPT Dovetail Gauge Port <b>I</b> – 0-60 PSI Gauge with Gauge Port <b>J</b> – 0-100 PSI Gauge with Gauge Port <b>K</b> – 0-160 PSI Gauge with Gauge Port <b>L</b> – 0-15 PSI Gauge with Gauge Port <b>S</b> – M5 Threads <b>W</b> – Wall Mounting Dovetail Bracket					<b>W/K</b> - with adjustment knob
<b>R7030</b> 0.5 - 30 PSI						<b>WO/S</b> - with screw-driver slot adjustment
<b>R7060</b> 0.5 - 60 PSI						<b>W/S</b> - with 1/4" shaft adjustment
<b>R7100</b> 0.5 - 100 PSI						<b>W/S</b> - with 1/4" shaft adjustment

### DIMENSIONS ( ) = Metric Dimensions



## PR-7000 Series Preset Precision Pressure Regulator



### FEATURES

- **Modular Dovetail Design**
- **Excellent Repeatability**
- **Miniature Size**
- **Automatic Relief**
- **Low Cost**

The Modular Precision Preset Regulator is designed to produce a precise output pressure that is preset. The regulator is ideal for instrumentation and industrial applications.

The standard preset model is factory preset to the desired output pressure, 0.5-40 PSI using 100 PSI supply. Specify the supply pressure if the supply is different than 100 PSI.

The Preset Regulator is available with a recessed allen wrench adjustment or a removable adjustment knob.

The **Unique Modular Dovetail** design allows the regulator to be used individually or assembled into a modular combination of pneumatic components.

### Port Connections Available

- **Threaded Port**
- **Connector**
- **Union**
- **Gauge Port**
- **Blank Slides**
- **Push-in Fitting**

Patent numbers 5,217,260 & 5,261,447



## Unique Modular Dovetail Design

### SPECIFICATIONS

**Adjustment Range:** 0.5 to 40 PSI

**Maximum Supply:** 150 PSI

**Operating Temperature:** 40° to 150° F (4° to 66°C)

**Recommended Filtration:** 5 Micron

**Effect of Supply Variation:** Within .1 PSI output change with 10 PSI supply change

**Flow Regulator:** Maximum flow 5 SCFM with 100 PSI supply

**Repeatability:** Within .1 PSI when the supply pressure is turned off and on

**Drift:** At 75°F. 0.1 PSI total drift

**Supply Consumption:** Within 400 cc/m at 100 PSI supply, with a deadend output

### MATERIALS

**Housing:** Glass filled Celcon

**Adjustment Screw:** Carbon Filled Nylon

**Retaining Ring:** Carbon Spring Steel

**Stem Assembly:** Celcon

**Diaphragm:** Buna N, Polyurethane

**Diaphragm Assembly:** Celcon

**Springs:** Stainless Steel

**O-Rings:** Buna N, Silicone Nitrile

**Valve Seat:** PVC

**Filter:** Stainless Steel 304, Micron size 380

**Manifold Mount Screws:** Zinc

### PORT CONNECTIONS

**Threaded Dovetail:** A Modular Dovetail Slide with 10-32 UNF, 1/8-27 NPT, 1/4-18 NPT thread sizes. The 1/8" and 1/4" NPT contain a brass hoop ring insert. The 1/8" and 1/4" gauge port is available. During assembly fittings should be finger tight plus one turn.

**Union Dovetail:** A Modular Dovetail Slide with a thru hole joining two units together with a common air supply.

**Connecting Dovetail:** A Modular Connecting Dovetail Slide with no hole joining two units together with no common air supply.

**Gauge Dovetail:** A Modular Dovetail Slide with 1/8-27 NPT or 1/4-18 NPT thread sizes. The Dovetail Slide has the word "gauge" molded into the slide.

**Blank Dovetail:** 2 Blank Dovetail Slides are supplied as standard.

**Push-in Fitting Dovetail:** Available for 5/32", 3/16", 1/4", 5/16", 4mm and 6mm O.D. Tubing.

### MOUNTING

**Base Mounting:** .115 diameter mounting holes – use 4-40 mounting screws.

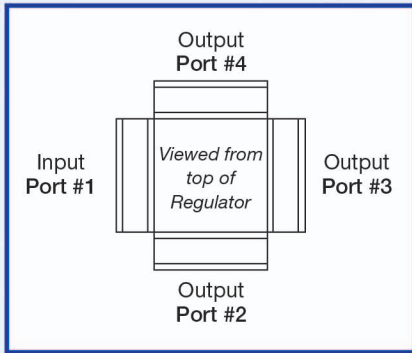
**Wall Mount:** Modular Dovetail wall mount.

# Regulator Selection Guide

**ORDERING INFORMATION** Order by model number and specify the preset output range 0.5 to 40 PSI using 100 PSI supply. Specify accessory letters or numbers for the dovetail ports and adjustment style. The regulator is supplied with an *INPUT PORT*, an *OUTPUT PORT*, and two *BLANK PORTS* as standard. Two accessory ports may be ordered. When choosing the port selection, the *INPUT PORT* is the starting point. The remaining ports are then selected counterclockwise.

## Part Number Guide

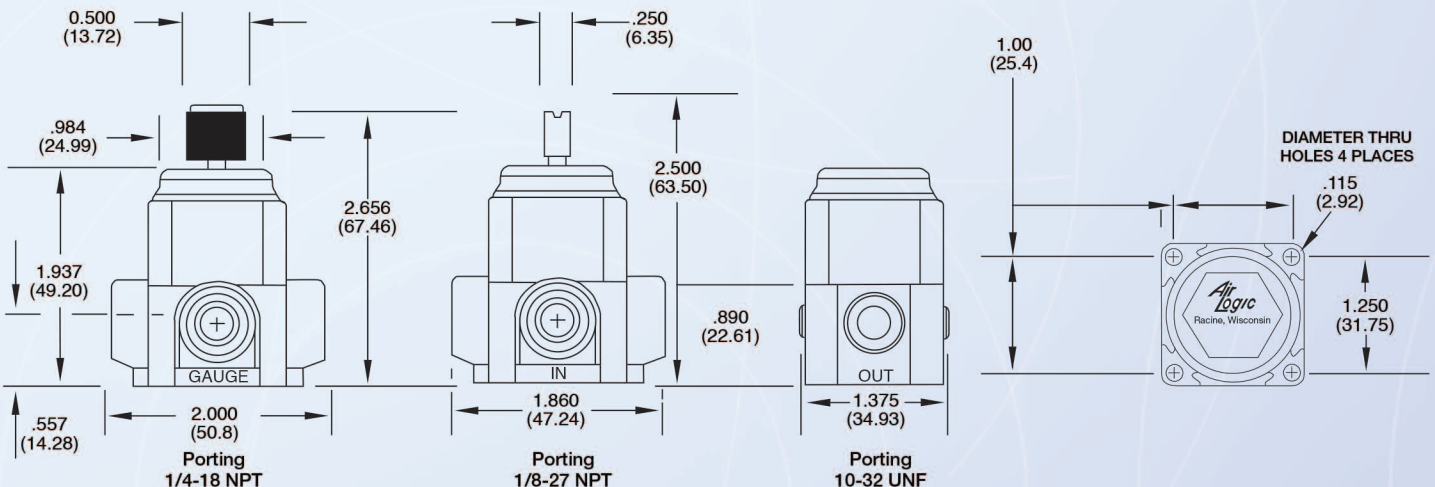
### Port Location Diagram



Model Number	Input Port 1	Port 2	Port 3	Port 4	Adjustment Style	
<div style="display: flex; justify-content: space-around; font-weight: bold; font-size: 1.2em;"> <span>PR7018</span> <span>7</span> <span>D</span> <span>S</span> <span>B</span> <span>W/S</span> </div>						
<b>PR7</b> ____  Specify Output 0.5 - 40 PSI	0 – 10-32 UNF Threads 1 – 1/8-27 NPT Threads 2 – 1/4-18 NPT Threads 3 – Push-in Fitting for 5/32" O.D. tube 4 – Push-in Fitting for 3/16" O.D. tube 5 – Push-in Fitting for 1/4" O.D. tube 6 – Push-in Fitting for 5/16" O.D. tube 7 – Push-in Fitting for 4mm O.D. tube 8 – Push-in Fitting for 6mm O.D. tube B – Blank Dovetail D – 0-30 PSI Gauge with Gauge Port G – 1/8-27 NPT Dovetail Gauge Port H – 1/4-18 NPT Dovetail Gauge Port I – 0-60 PSI Gauge with Gauge Port L – 0-15 PSI Gauge with Gauge Port S – M5 Threads W – Wall Mounting Dovetail Bracket					<b>W/K -</b> with adjustment knob  <b>W/S -</b> with adjustment shaft  <b>Allen Wrench Adjustment</b> does not require specification

### DIMENSIONS ( ) = Metric Dimensions

Removable Adjusting Stem  
with or without knob



## R-6000, PR-6000 Series Manifold Mounted Pressure Regulator



### FEATURES

- Manifold Mount
- Modular Dovetail Design
- Excellent Repeatability
- Automatic Relief
- Low Cost

The Manifold Mounted Precision Pressure Regulators are designed to mount directly on pneumatic circuit boards or manifold subplates. The port connections for the supply and output are located on the base of the manifold mounted series regulator. Two recessed Buna-N o-rings are supplied for sealing the regulator to the manifold.

The Manifold Mounted Regulators are available in two models: **The Adjustable Precision Regulator** has a 20-turn adjustment range from .5 to 100 PSI. Maximum supply is 150 PSI. Four adjustment ranges are available: 10 PSI, 30 PSI, 60 PSI, and 100 PSI.

The Adjustable Regulator is furnished with an adjustment knob and is also available with an extended 1/4" shaft to accept an adjusting knob or furnished with an exposed screwdriver adjustment by which the pressure range can be adjusted.

**The Preset Precision Regulator** is designed to produce a precise output pressure that is preset at the factory, 0.5 to 40 PSI using a 100 PSI supply.

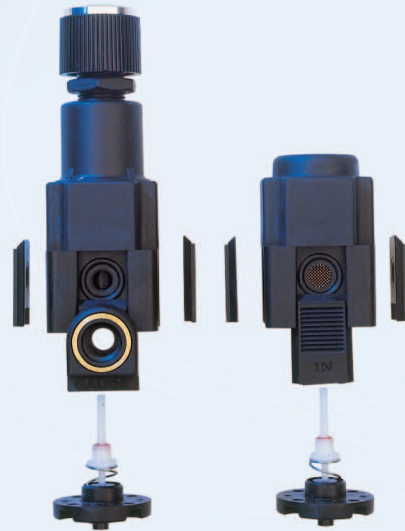
The preset regulator is available with a recessed allen wrench adjustment or a removable adjustment knob.

The **Unique Modular Dovetail** design allows the regulator to be used individually or assembled into a modular combination of pneumatic components.

### Port Connections Available

- Threaded Port
- Connector
- Union
- Gauge Port
- Blank Slides
- Push-in Fitting

Patent numbers 5,217,260 & 5,261,447



### Unique Modular Dovetail Design

#### SPECIFICATIONS

**Adjustment Range:** Adjustment Model, 0.5 to 100 PSI  
Preset Model, 0.5 to 40 PSI

**Maximum Supply:** 150 PSI

**Operating Temperature:** 40° to 150° F (4° to 66°C)

**Recommended Filtration:** 5 Micron

**Effect of Supply Variation:** Within .1 PSI output change with 10 PSI supply change

**Flow Regulator:** Maximum flow 5 SCFM with 100 PSI supply

**Repeatability:** Within .1 PSI when the supply pressure is turned off and on

**Drift:** At 75°F. 0.1 PSI total drift

**Supply Consumption:** Within 400 cc/m at 100 PSI supply, with a deadend output

#### MATERIALS

**Housing:** Glass filled Celcon

**Adjustment Screw:** Carbon filled Nylon

**Retaining Ring:** Carbon Spring Steel

**Stem Assembly:** Celcon

**Diaphragm:** Buna N, Polyurethane

**Diaphragm Assembly:** Celcon

**Springs:** Stainless Steel

**O-Rings:** Buna N, Silicone Nitrile

**Valve Seat:** PVC

**Filter:** Stainless Steel 304, Micron size 380

**Manifold Mount Screws:** Zinc

#### PORT CONNECTIONS

**Threaded Dovetail:** A Modular Dovetail Slide with 10-32 UNF, 1/8-27 NPT, 1/4-18 NPT thread sizes. The 1/8" and 1/4" NPT contain a brass hooping insert. The 1/8" and 1/4" gauge port is available. During assembly, fittings should be finger tight plus one turn.

**Union Dovetail:** A Modular Dovetail Slide with a thru hole joining two units together with a common air supply.

**Connecting Dovetail:** A Modular Connecting Dovetail Slide with no hole joining two units together with no common air supply.

**Gauge Dovetail:** A Modular Dovetail Slide with 1/8-27 NPT or 1/4-18 NPT thread sizes. The Dovetail Slide has the word "gauge" molded into the slide. 2 Blank Dovetail Slides are supplied as standard.

**Blank Dovetail:** Available for 5/32", 3/16", 1/4", 5/16", 4mm and 6mm O.D. Tubing.

#### MOUNTING

**Manifold Mounting:** .115 diameter mounting holes - use 4-40 mounting screws

**Mounting Base:** An Air Logic manifold mounting base is available. 10-32 UNF threaded input and output ports.

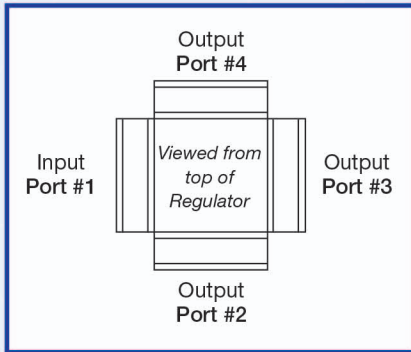


# Regulator Selection Guide

**ORDERING INFORMATION** Order by model number for output range or specify the preset output range 0.5 to 40 PSI using 100 PSI supply. Specify accessory letters or numbers for the dovetail ports and adjustment style. The regulator is supplied with an *INPUT PORT*, an *OUTPUT PORT*, and two *BLANK PORTS* as standard. Two accessory ports may be ordered. When choosing the port selection the input port is the starting point. The remaining ports are then selected counterclockwise.

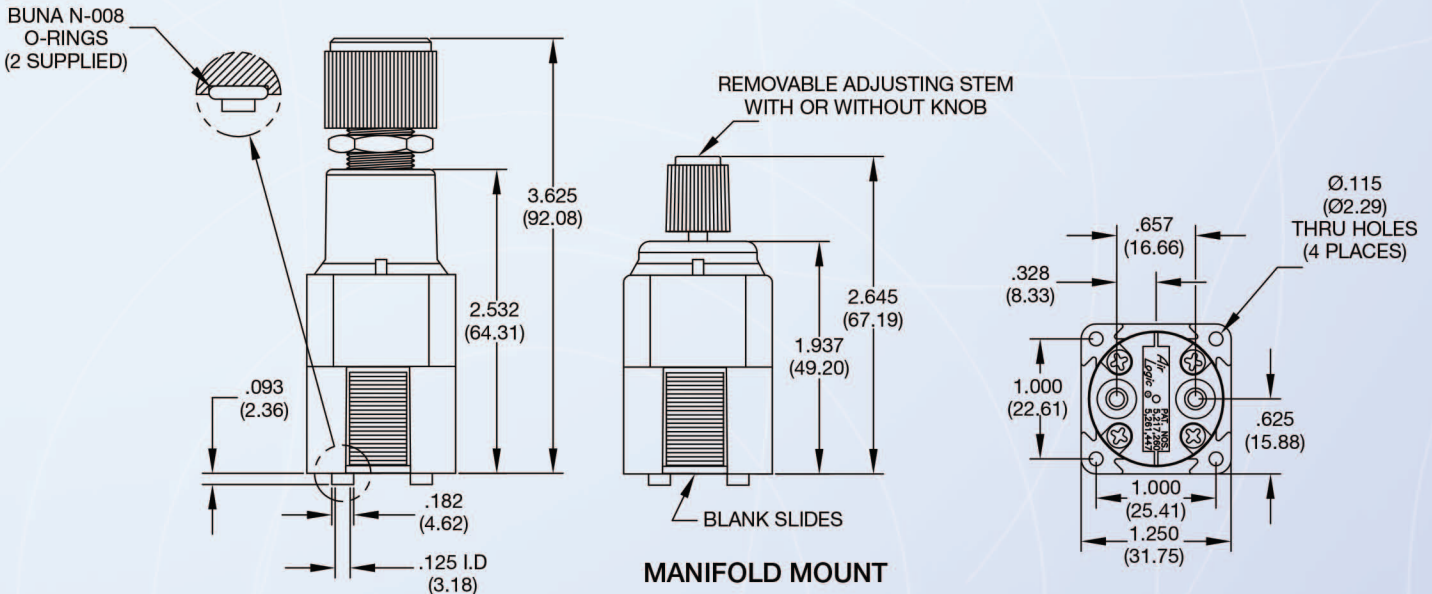
## Part Number Guide

### Port Location Diagram



Model Number	Input Port 1	Port 2	Port 3	Port 4	Adjustment Style
<b>R6010</b> 0.5 - 10 PSI	0 – 10-32 UNF Threads	1 – 1/8-27 NPT Threads	2 – 1/4-18 NPT Threads		<b>W/K</b> - with adjustment knob
<b>R6030</b> 0.5 - 30 PSI	3 – Push-in Fitting for 5/32" O.D. tube	4 – Push-in Fitting for 3/16" O.D. tube	5 – Push-in Fitting for 1/4" O.D. tube		<b>WO/S</b> - with screw-driver slot adjustment
<b>R6060</b> 0.5 - 60 PSI	6 – Push-in Fitting for 5/16" O.D. tube	7 – Push-in Fitting for 4mm O.D. tube	8 – Push-in Fitting for 6mm O.D. tube		<b>W/S</b> - with 1/4" Shaft adjustment
<b>R6100</b> 0.5 - 100 PSI	<b>B</b> – Blank Dovetail	<b>D</b> – 0-30 PSI Gauge with Gauge Port	<b>G</b> – 1/8-27 NPT Dovetail Gauge Port	<b>H</b> – 1/4-18 NPT Dovetail Gauge Port	<b>Preset Regulator</b>
<b>PR6</b> _ _ _	<b>I</b> – 0-60 PSI Gauge with Gauge Port	<b>J</b> – 0-100 PSI Gauge with Gauge Port	<b>K</b> – 0-160 PSI Gauge with Gauge Port	<b>L</b> – 0-15 PSI Gauge with Gauge Port	<b>Allen Wrench Adjustment does not require specification</b>
Specify Output 0.5 - 40 PSI	<b>S</b> – M5 Threads	<b>W</b> – Wall Mounting Dovetail Bracket			<b>W/K or W/S must be specified</b>

### DIMENSIONS ( ) = Metric Dimensions



## M-5000 Series Modular Manifold



### FEATURES

- **Modular Dovetail Design**
- **Miniature Size**
- **Low Cost**

The **Modular Manifold** is designed for instrumentation and industrial applications.

The **Unique Modular Dovetail** design allows the manifold block to be used as an individual unit or assembled into a modular combination of pneumatic components.

The **Modular Manifold** is available in two models. The standard model and the filtered model.

The standard model is unfiltered.

The filtered model contains four stainless steel filters in the side ports. Micron size is 380. The top cover is unfiltered.

The **Manifold Block** contains four individual dovetail slides and one top cover that will accept a various assortment of threaded ports or blanks.

### Port Connections Available

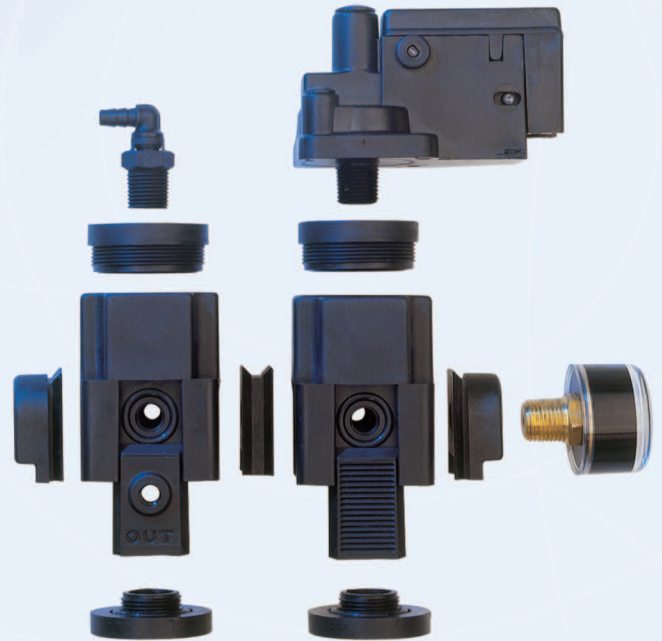
- **Threaded Port and Top Cover**
- **Blank Slide and Blank Top Cover**
- **Connector**
- **Union**
- **Gauge Port**
- **Push-in Fitting**

The **Modular Dovetail Wall Mount Bracket** is available for wall or cabinet mounting.

The **Pneumatic Accessories** include the modular manifold block, the modular precision pressure and preset regulators, pressure or vacuum switches, and pressure or vacuum gauges.

By combining the pneumatic accessories together pneumatic circuits and systems can be assembled into one Modular Manifold System.

Patent Number 5,217,260



## Unique Modular Dovetail Design SPECIFICATIONS

**Maximum Supply:** 150 PSI

**Operating Temperature:** 40° to 150° F (4° to 66°C)

**Recommended Filtration:** 5 Micron

**Capacity:** 1 Cubic Inch

### MATERIALS

**Housing:** Glass filled Celcon

**O-Rings:** Buna N, Silicone Nitrile

**Filter:** Stainless Steel 304, Micron size 380

### PORT CONNECTIONS

**Threaded Dovetail:** A Modular Dovetail Slide with 10-32 UNF, 1/8-27 NPT, 1/4-18 NPT thread sizes. The 1/8" and 1/4" gauge port is available.

**Union Dovetail:** A Modular Dovetail Slide with a thru hole joining two units together with a common air supply.

**Connecting Dovetail:** A Modular Connecting Dovetail Slide with no hole joining two units together with no common air supply.

**Blank Dovetail:** A Blank Dovetail Slide is supplied when the port is not in use.

**Gauge Dovetail:** A Modular Dovetail Slide with 1/8-27 NPT or 1/4-18 NPT thread sizes. The Dovetail Slide has the word "gauge" molded into the slide.

**Top Cover:** The top cover is available in various combinations, 10-32 UNF, 1/8-27 NPT or 1/4-18 NPT thread sizes. The 1/4" and 1/8" contain a brass hoop insert. During assembly, fittings should be finger tight plus one turn. A Blank Top Cover is available when porting is not desired.

**Push-in Fitting Dovetail :** Available for 5/32", 3/16", 1/4", 5/16", 4mm and 6mm O.D. Tubing.

### MOUNTING

**Base mounting:** .115 diameter mounting holes - use 4-40 mounting screws

**Wall Mount:** Modular Dovetail wall mount

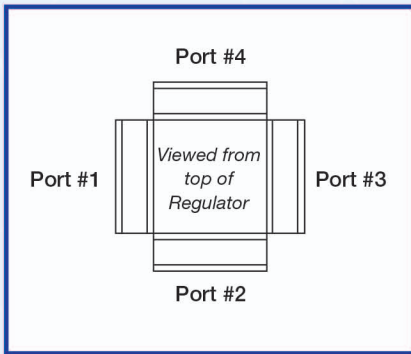
# Manifold Selection Guide

**ORDERING INFORMATION** Order by model number. Specify accessory letters or numbers for the dovetail ports and top cover port. When choosing the port selection Port #1 is the starting point. The remaining ports are then selected counterclockwise.

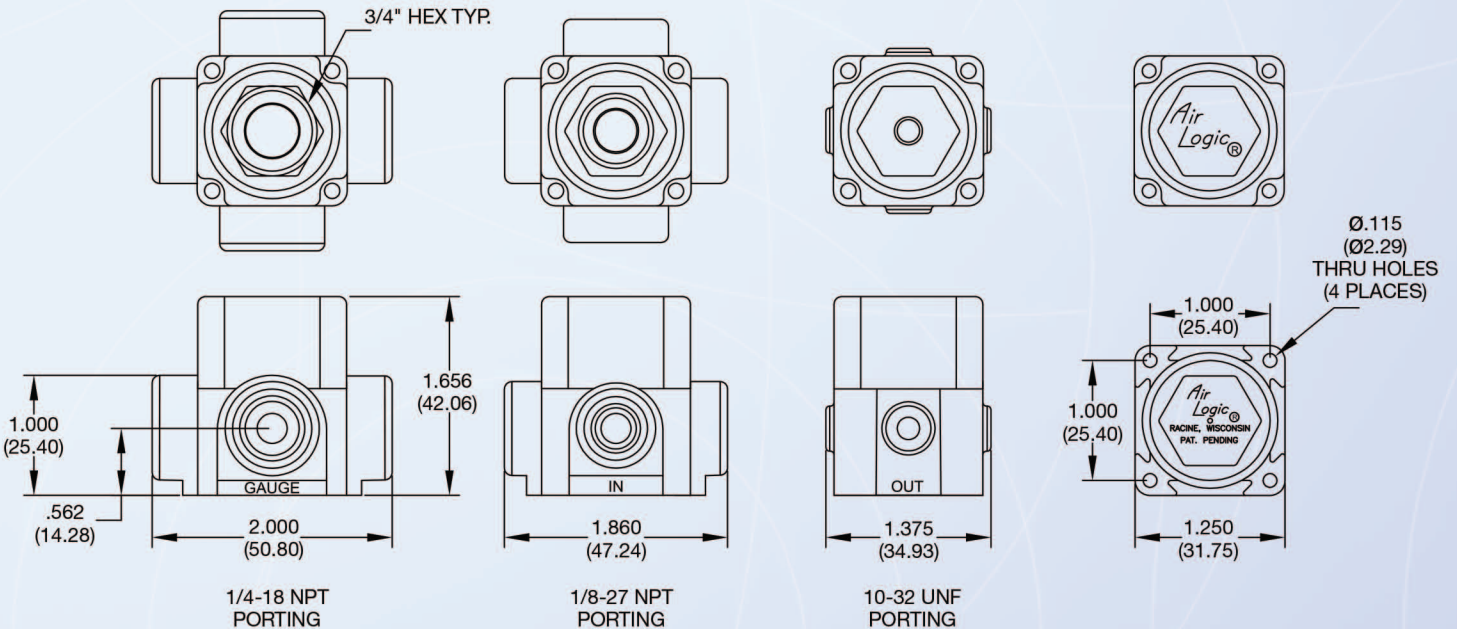
## Part Number Guide

	M5000	B	J	5	1	2
Model Number	Input Port 1	Port 2	Port 3	Port 4	Top Cover Style	
<b>M5000</b> Standard Model	0 – 10-32 UNF Threads 1 – 1/8-27 NPT Threads 2 – 1/4-18 NPT Threads 3 – Push-in Fitting for 5/32" O.D. tube 4 – Push-in Fitting for 3/16" O.D. tube 5 – Push-in Fitting for 1/4" O.D. tube 6 – Push-in Fitting for 5/16" O.D. tube 7 – Push-in Fitting for 4mm O.D. tube 8 – Push-in Fitting for 6mm O.D. tube B – Blank Dovetail D – 0-30 PSI Gauge with Gauge Port G – 1/8-27 NPT Dovetail Gauge Port H – 1/4-18 NPT Dovetail Gauge Port I – 0-60 PSI Gauge with Gauge Port J – 0-100 PSI Gauge with Gauge Port K – 0-160 PSI Gauge with Gauge Port L – 0-15 PSI Gauge with Gauge Port S – M5 Threads W – Wall Mounting Dovetail Bracket				0 – 10-32 UNF Threads  1 – 1/8-27 NPT Threads  2 – 1/4-18 NPT Threads  B – Blank Cover	
<b>M5001</b> Filtered Model						

### Port Location Diagram



### DIMENSIONS ( ) = Metric Dimensions



## Modular Dovetail Accessories

The **Modular Dovetail Accessories** are designed for the Adjustable Pressure Regulator, the Preset Pressure Regulator, the Manifold Mounted Pressure Regulator, and the Modular Manifold System.

The **Unique Modular Dovetail** design allows the regulator or the manifold to be used individually or assembled into a modular combination of Pneumatic Components.

The **Modular Dovetail Slides** are sealed with a Buna N o-ring to prevent leaking. The dovetail slides are locked in place by the bottom hex cover.

The **Blank Dovetail Slides** are used when porting is not desired. Four blank dovetail slides are standard on the manifold regulator. The supply side is marked "IN" and the output side is marked "OUT."



The **Dovetail Union and Connector** allow various combinations of regulators and manifold blocks to be assembled together.

The **Union Dovetail** contains a thru hole joining two units together with a common air supply.

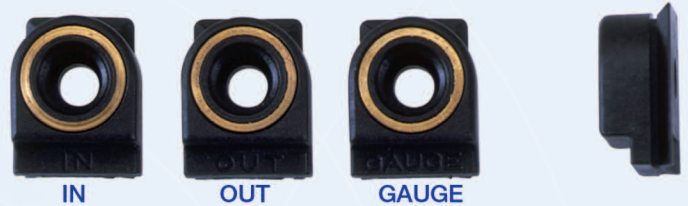
The **Connecting Dovetail** contains no thru hole, but joins two units together with no common air supply.



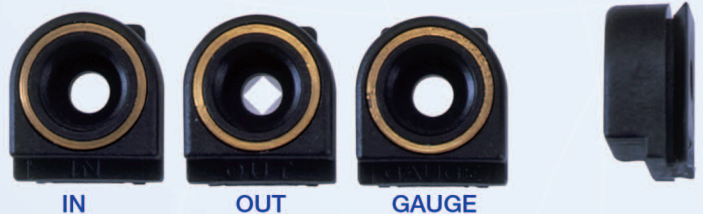
The **10-32 UNF Threaded Dovetail Slides** have an IN and an OUT.



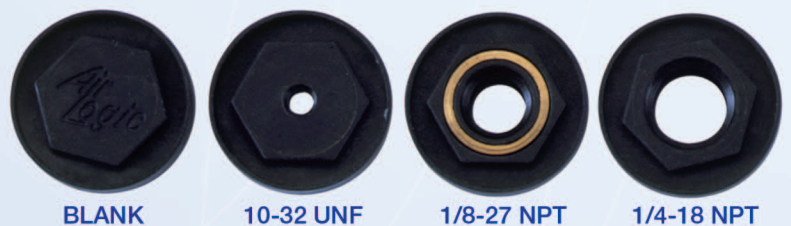
The **1/8-27 NPT Threaded Dovetail Slides** have an IN, OUT, and a GAUGE Port. The 1/8" NPT port contains a brass hoop ring insert designed for added strength.



The **1/4-18 NPT Threaded Dovetail Slides** have an IN, OUT, and Gauge Port. The 1/4" NPT ports contain a brass hoop ring insert designed for added strength.



The **Manifold Top Cover** is available with blank port, 10-32 UNF, 1/8-27 NPT and 1/4-18 NPT.



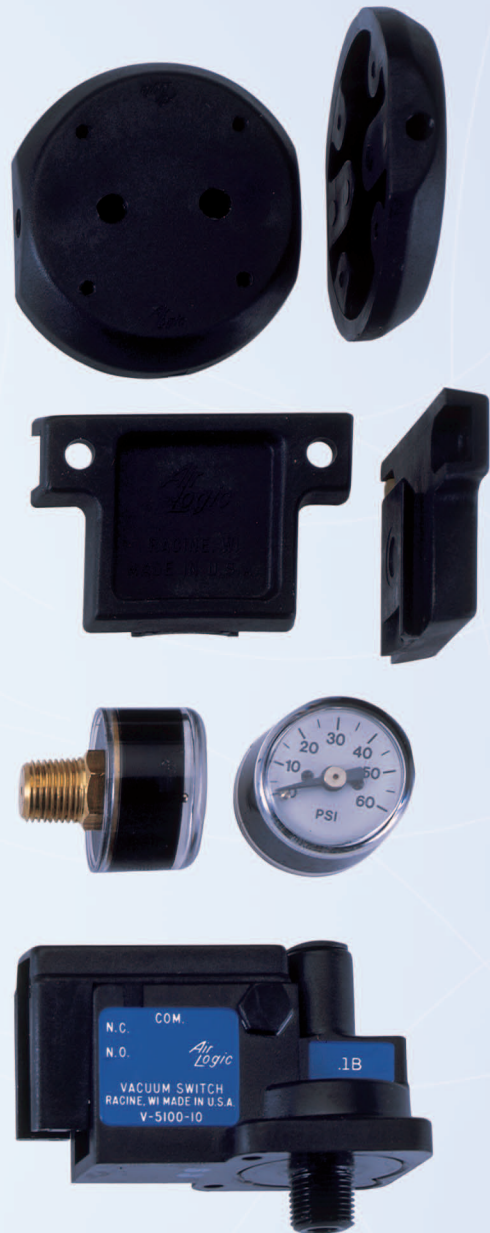
The **Manifold Mounting Base Plate** is designed for testing and evaluating the manifold mounted precision regulator. The mounting base has 10-32 UNF threaded input and output ports. Part Number 7-MMB

The **Modular Dovetail Wall Mount Bracket** is available for wall or cabinet mounting.

The **Subminiature Pressure or Vacuum Gauges** are available with a miniature 7/8" dial and 1/8" NPT back mount.

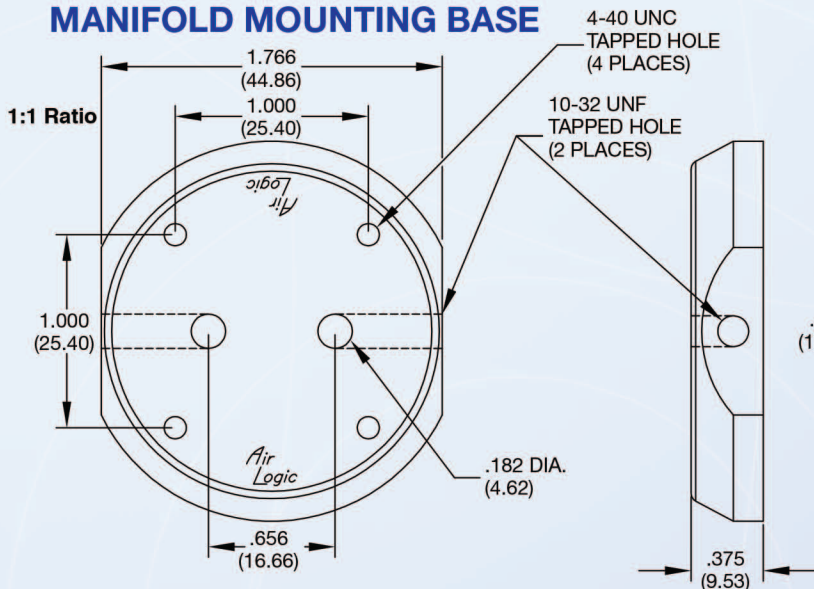
Model Number	Range
G-015	0-15 PSI
G-030	0-30 PSI
G-060	0-60 PSI
G-100	0-100 PSI
G-160	0-160 PSI
<b>Vacuum Gauge</b>	
V-030	0-30" Hg

The **Subminiature Pressure Switches** and Vacuum Switches are available with a 1/8" NPT pipe thread mount. The accessories are designed for the 1/8" NPT Threaded Dovetail Slide.



**DIMENSIONS ( ) = Metric Dimensions**

**MANIFOLD MOUNTING BASE**



**WALL MOUNT BRACKET**

